

Parts Catalogue

for model
E 380

- Use GLOBAL GARDEN PRODUCT Genuine Spare Parts specified in the parts list for repair and/or replacement.
- The contents described in the parts list may change due to improvement.
- The drawings of the spare parts are only indicative and might not represent the part in question exactly.
- The indications "right" - "left" - "front" - "rear" refer to the position of the operator when using the machine.
- When placing orders of parts for repair and/or replacement, make sure that the illustrated parts list is the one applying to the machine's year of manufacture, as shown on the identification plate attached to the machine.

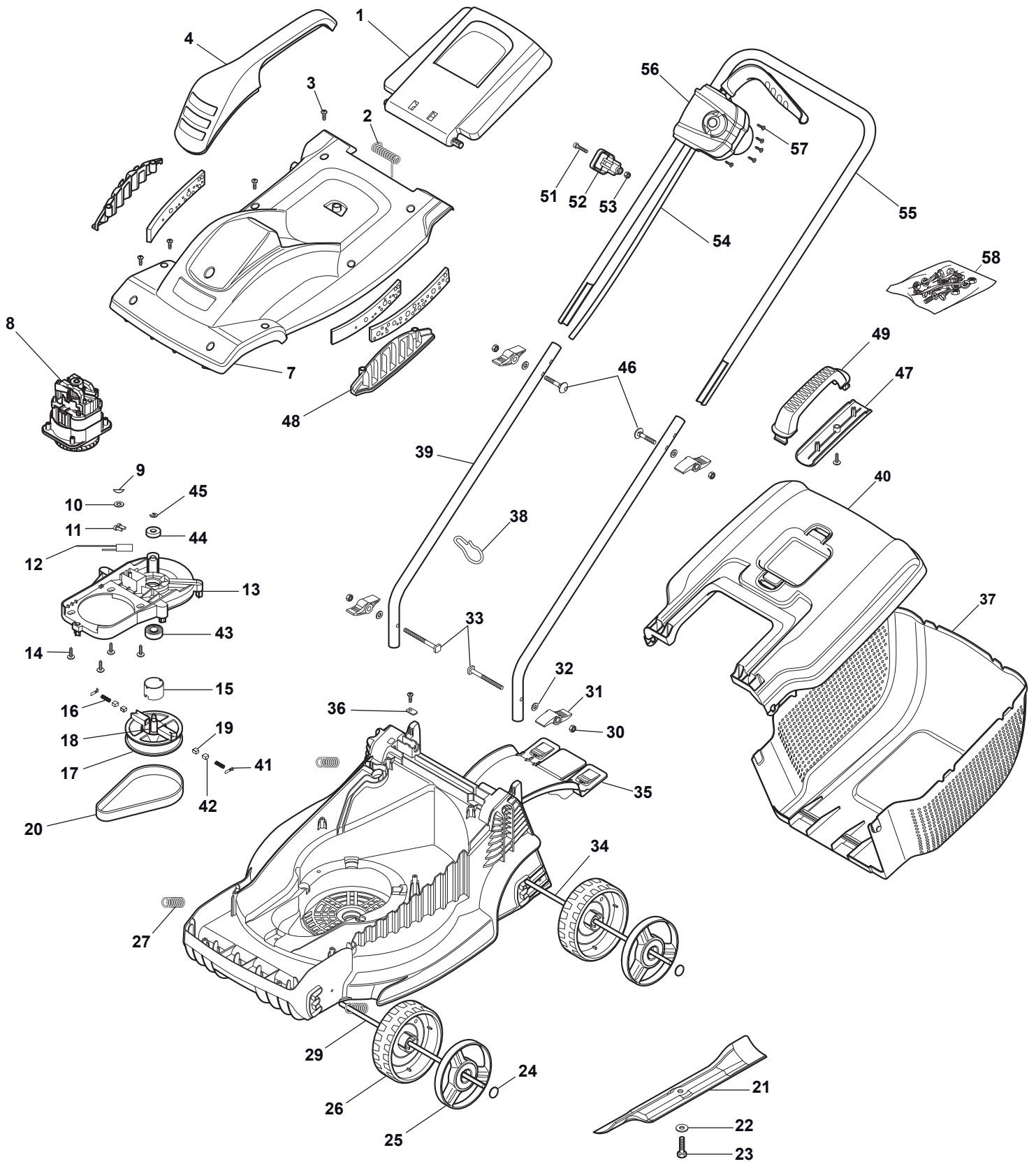
© Copyright 2015 Global Garden Products

All content is subject to copyright by Global Garden Products and may not be reproduced in whole or in part by any means, electronic or otherwise, without prior written approval.

THIS INFORMATION IS NOT INTENDED FOR SALE OR RESALE, AND THIS NOTICE MUST REMAIN ON ALL COPIES.



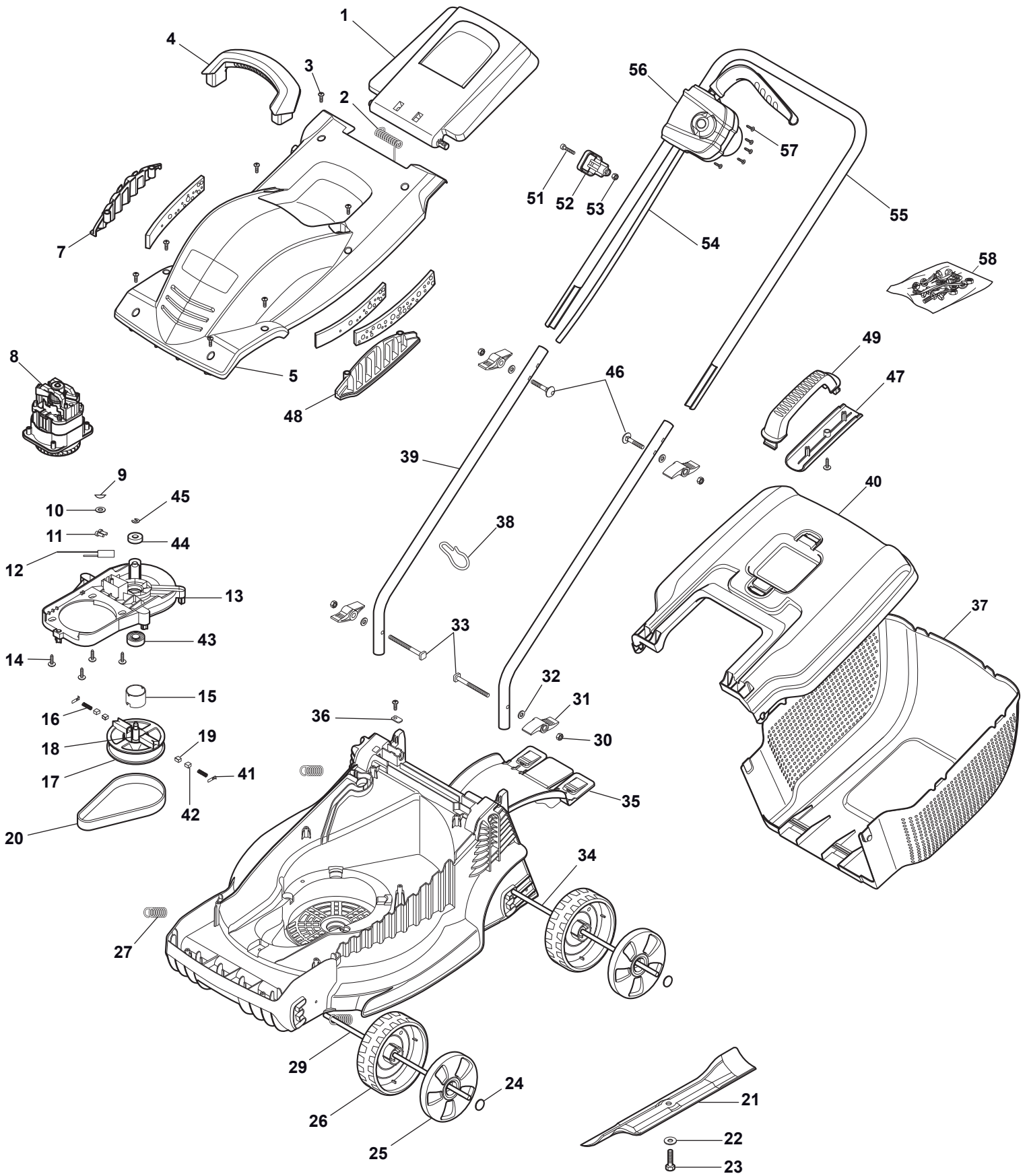
| Fig. | Quantity | Part No | Description | Notes |
|------|----------|-------------|-----------------------|-------|
| 1 | 1 | 118810150/0 | Stone Guard, Yellow | |
| 2 | 1 | 118810096/0 | Spring | |
| 3 | 12 | 112728099/1 | Screw | |
| 4 | 1 | 118810156/0 | Cover, Grey | |
| 7 | 1 | 118810149/0 | Engine Cover, Yellow | |
| 8 | 1 | 118810097/0 | Electric Motor | |
| 9 | 1 | 112543001/0 | Washer | |
| 10 | 1 | 118810093/0 | Washer | |
| 11 | 2 | 118801615/0 | Wire Connector | |
| 12 | 1 | 118810063/0 | Temperature | |
| 13 | 1 | 118810084/0 | Engine Plate | |
| 14 | 9 | 118810099/0 | Screw | |
| 15 | 1 | 118810106/0 | Brake | |
| 16 | 2 | 118810108/0 | Brake Spring | |
| 17 | 1 | 118810059/0 | Pulley insert mould | |
| 18 | 1 | 118810104/0 | Pulley | |
| 19 | 2 | 118810112/0 | Wooden Brake Pad | |
| 20 | 1 | 118810092/0 | Belt | |
| 21 | 1 | 118810003/0 | Blade | |
| 22 | 1 | 122671651/0 | Washer | |
| 23 | 1 | 112793312/0 | Screw | |
| 24 | 4 | 112604898/0 | Crown Fastener | |
| 25 | 4 | 118810153/0 | Hub Cap | |
| 26 | 4 | 118810081/0 | Wheel | |
| 27 | 4 | 118810109/0 | Spring | |
| 29 | 1 | 118810100/0 | Front Wheel Axle | |
| 30 | 4 | 112291000/0 | Nut | |
| 31 | 4 | 118810137/0 | Knob | |
| 32 | 4 | 112000930/0 | Benzing Ring | |
| 33 | 2 | 118810160/0 | Screw | |
| 34 | 1 | 118810101/0 | Rear Wheel Axle | |
| 35 | 1 | 118810155/0 | Deflector | |
| 36 | 1 | 118810103/0 | Plate | |
| 37 | 1 | 118810152/0 | Grass-Box, Lower Part | |
| 38 | 1 | 118810110/0 | Cable holder | |
| 39 | 1 | 118810105/0 | Handle, Lower Part | |
| 40 | 1 | 118810154/0 | Grass-Box, Upper Part | |
| 41 | 2 | 118810102/0 | Insert | |
| 42 | 2 | 118810107/0 | Iron brake | |
| 43 | 2 | 118810070/0 | Bearing | |
| 44 | 1 | 118810069/0 | Bearing | |
| 45 | 1 | 112000955/0 | Benzing Ring | |
| 46 | 2 | 112727784/0 | Screw | |
| 47 | 1 | 118810146/0 | Handle, Lower Part | |
| 48 | 1 | 118810151/0 | Left Window, Grey | |
| 49 | 1 | 118810144/0 | Handle | |
| 51 | 1 | 112735654/0 | Screw | |
| 52 | 1 | 118810083/0 | Hook | |
| 53 | 1 | 112291000/0 | Nut | |
| 54 | 1 | 118810159/0 | Wire | |
| 55 | 1 | 118810075/0 | Handle, Upper Part | |



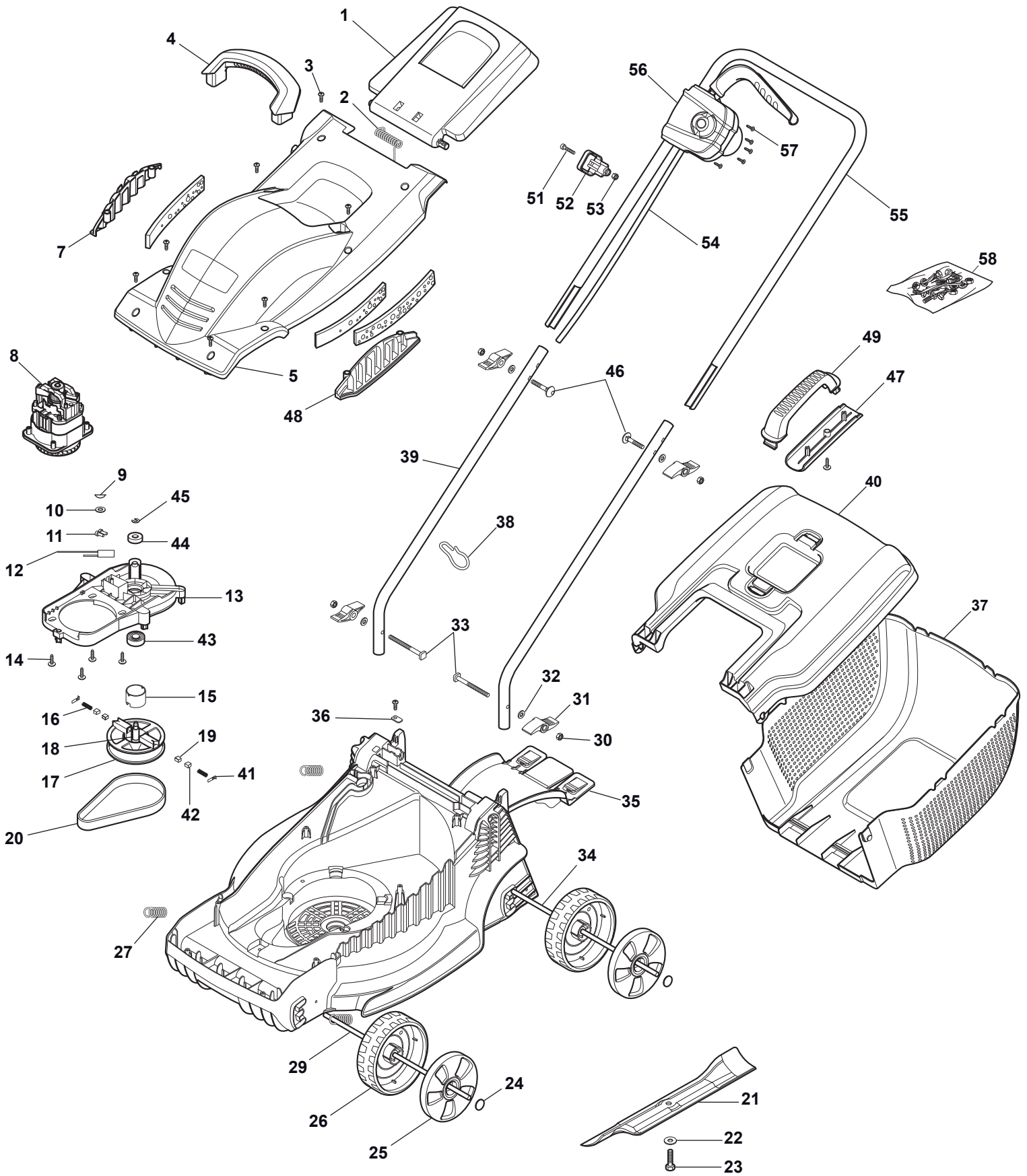
WBH Electric plastic **Electric Walkbehind**

Issue 7 - 2015

| Fig. | Quantity | Part No | Description | Notes |
|------|----------|-------------|------------------|-------|
| 56 | 1 | 118810098/0 | Dead hand switch | |
| 57 | 9 | 112728099/1 | Screw | |
| 58 | 1 | 118810171/0 | Outfit, Screws | |



| Fig. | Quantity | Part No | Description | Notes |
|------|----------|-------------|-----------------------|-------|
| 1 | 1 | 118810166/0 | Stone-Guard | |
| 2 | 1 | 118810096/0 | Spring | |
| 3 | 12 | 112728099/1 | Screw | |
| 4 | 1 | 118810169/0 | Cover, Grey | |
| 5 | 1 | 118810165/0 | Engine Cover | |
| 7 | 1 | 118810167/0 | Right Window, Grey | |
| 8 | 1 | 118810097/0 | Electric Motor | |
| 9 | 1 | 112543001/0 | Washer | |
| 10 | 1 | 118810093/0 | Washer | |
| 11 | 2 | 118801615/0 | Wire Connector | |
| 12 | 1 | 118810063/0 | Temperature | |
| 13 | 1 | 118810084/0 | Engine Plate | |
| 14 | 9 | 118810099/0 | Screw | |
| 15 | 1 | 118810106/0 | Brake | |
| 16 | 2 | 118810108/0 | Brake Spring | |
| 17 | 1 | 118810059/0 | Pulley insert mould | |
| 18 | 1 | 118810104/0 | Pulley | |
| 19 | 2 | 118810112/0 | Wooden Brake Pad | |
| 20 | 1 | 118810092/0 | Belt | |
| 21 | 1 | 118810003/0 | Blade | |
| 22 | 1 | 122671651/0 | Washer | |
| 23 | 1 | 112793312/0 | Screw | |
| 24 | 4 | 112604898/0 | Crown Fastener | |
| 25 | 4 | 118810168/0 | Hub Cap | |
| 26 | 4 | 118810081/0 | Wheel | |
| 27 | 4 | 118810109/0 | Spring | |
| 28 | 1 | 118810111/0 | Deck | |
| 29 | 1 | 118810100/0 | Front Wheel Axle | |
| 30 | 4 | 112291000/0 | Nut | |
| 31 | 4 | 118810121/0 | Knob | |
| 32 | 4 | 112000930/0 | Benzing Ring | |
| 33 | 2 | 118810160/0 | Screw | |
| 34 | 1 | 118810101/0 | Rear Wheel Axle | |
| 35 | 1 | 118810155/0 | Deflector | |
| 36 | 1 | 118810103/0 | Plate | |
| 37 | 1 | 118810152/0 | Grass-Box, Lower Part | |
| 38 | 1 | 118810110/0 | Cable holder | |
| 39 | 1 | 118810105/0 | Handle, Lower Part | |
| 40 | 1 | 118810154/0 | Grass-Box, Upper Part | |
| 41 | 2 | 118810102/0 | Insert | |
| 42 | 2 | 118810107/0 | Iron brake | |
| 43 | 2 | 118810070/0 | Bearing | |
| 44 | 1 | 118810069/0 | Bearing | |
| 45 | 1 | 112000955/0 | Benzing Ring | |
| 46 | 2 | 112727784/0 | Screw | |
| 47 | 1 | 118810146/0 | Handle, Lower Part | |
| 48 | 1 | 118810151/0 | Left Window, Grey | |
| 49 | 1 | 118810144/0 | Handle | |
| 51 | 1 | 112735654/0 | Screw | |
| 52 | 1 | 118810083/0 | Hook | |
| 53 | 1 | 112291000/0 | Nut | |



| Fig. | Quantity | Part No | Description | Notes |
|------|----------|-------------|--------------------|-------|
| 54 | 1 | 118810159/0 | Wire | |
| 55 | 1 | 118810075/0 | Handle, Upper Part | |
| 56 | 1 | 118810098/0 | Dead hand switch | |
| 57 | 9 | 112728099/1 | Screw | |
| 58 | 1 | 118810171/0 | Outfit, Screws | |

| | | | | | | | |
|-------------|----|----|------|-------------|----|---|------|
| 112000930/0 | 32 | 4 | p. 3 | 118810106/0 | 15 | 1 | p. 3 |
| 112000930/0 | 32 | 4 | p. 7 | 118810106/0 | 15 | 1 | p. 7 |
| 112000955/0 | 45 | 1 | p. 3 | 118810107/0 | 42 | 2 | p. 3 |
| 112000955/0 | 45 | 1 | p. 7 | 118810107/0 | 42 | 2 | p. 7 |
| 112291000/0 | 30 | 4 | p. 3 | 118810108/0 | 16 | 2 | p. 3 |
| 112291000/0 | 30 | 4 | p. 7 | 118810108/0 | 16 | 2 | p. 7 |
| 112291000/0 | 53 | 1 | p. 3 | 118810109/0 | 27 | 4 | p. 3 |
| 112291000/0 | 53 | 1 | p. 7 | 118810109/0 | 27 | 4 | p. 7 |
| 112543001/0 | 9 | 1 | p. 3 | 118810110/0 | 38 | 1 | p. 3 |
| 112543001/0 | 9 | 1 | p. 7 | 118810110/0 | 38 | 1 | p. 7 |
| 112604898/0 | 24 | 4 | p. 3 | 118810111/0 | 28 | 1 | p. 7 |
| 112604898/0 | 24 | 4 | p. 7 | 118810112/0 | 19 | 2 | p. 3 |
| 112727784/0 | 46 | 2 | p. 3 | 118810112/0 | 19 | 2 | p. 7 |
| 112727784/0 | 46 | 2 | p. 7 | 118810121/0 | 31 | 4 | p. 7 |
| 112728099/1 | 3 | 12 | p. 3 | 118810137/0 | 31 | 4 | p. 3 |
| 112728099/1 | 3 | 12 | p. 7 | 118810144/0 | 49 | 1 | p. 3 |
| 112728099/1 | 57 | 9 | p. 5 | 118810144/0 | 49 | 1 | p. 7 |
| 112728099/1 | 57 | 9 | p. 9 | 118810146/0 | 47 | 1 | p. 3 |
| 112735654/0 | 51 | 1 | p. 3 | 118810146/0 | 47 | 1 | p. 7 |
| 112735654/0 | 51 | 1 | p. 7 | 118810149/0 | 7 | 1 | p. 3 |
| 112793312/0 | 23 | 1 | p. 3 | 118810150/0 | 1 | 1 | p. 3 |
| 112793312/0 | 23 | 1 | p. 7 | 118810151/0 | 48 | 1 | p. 3 |
| 118801615/0 | 11 | 2 | p. 3 | 118810151/0 | 48 | 1 | p. 7 |
| 118801615/0 | 11 | 2 | p. 7 | 118810152/0 | 37 | 1 | p. 3 |
| 118810003/0 | 21 | 1 | p. 3 | 118810152/0 | 37 | 1 | p. 7 |
| 118810003/0 | 21 | 1 | p. 7 | 118810153/0 | 25 | 4 | p. 3 |
| 118810059/0 | 17 | 1 | p. 3 | 118810154/0 | 40 | 1 | p. 3 |
| 118810059/0 | 17 | 1 | p. 7 | 118810154/0 | 40 | 1 | p. 7 |
| 118810063/0 | 12 | 1 | p. 3 | 118810155/0 | 35 | 1 | p. 3 |
| 118810063/0 | 12 | 1 | p. 7 | 118810155/0 | 35 | 1 | p. 7 |
| 118810069/0 | 44 | 1 | p. 3 | 118810156/0 | 4 | 1 | p. 3 |
| 118810069/0 | 44 | 1 | p. 7 | 118810159/0 | 54 | 1 | p. 3 |
| 118810070/0 | 43 | 2 | p. 3 | 118810159/0 | 54 | 1 | p. 9 |
| 118810070/0 | 43 | 2 | p. 7 | 118810160/0 | 33 | 2 | p. 3 |
| 118810075/0 | 55 | 1 | p. 3 | 118810160/0 | 33 | 2 | p. 7 |
| 118810075/0 | 55 | 1 | p. 9 | 118810165/0 | 5 | 1 | p. 7 |
| 118810081/0 | 26 | 4 | p. 3 | 118810166/0 | 1 | 1 | p. 7 |
| 118810081/0 | 26 | 4 | p. 7 | 118810167/0 | 7 | 1 | p. 7 |
| 118810083/0 | 52 | 1 | p. 3 | 118810168/0 | 25 | 4 | p. 7 |
| 118810083/0 | 52 | 1 | p. 7 | 118810169/0 | 4 | 1 | p. 7 |
| 118810084/0 | 13 | 1 | p. 3 | 118810171/0 | 58 | 1 | p. 5 |
| 118810084/0 | 13 | 1 | p. 7 | 118810171/0 | 58 | 1 | p. 9 |
| 118810092/0 | 20 | 1 | p. 3 | 122671651/0 | 22 | 1 | p. 3 |
| 118810092/0 | 20 | 1 | p. 7 | 122671651/0 | 22 | 1 | p. 7 |
| 118810093/0 | 10 | 1 | p. 3 | | | | |
| 118810093/0 | 10 | 1 | p. 7 | | | | |
| 118810096/0 | 2 | 1 | p. 3 | | | | |
| 118810096/0 | 2 | 1 | p. 7 | | | | |
| 118810097/0 | 8 | 1 | p. 3 | | | | |
| 118810097/0 | 8 | 1 | p. 7 | | | | |
| 118810098/0 | 56 | 1 | p. 5 | | | | |
| 118810098/0 | 56 | 1 | p. 9 | | | | |
| 118810099/0 | 14 | 9 | p. 3 | | | | |
| 118810099/0 | 14 | 9 | p. 7 | | | | |
| 118810100/0 | 29 | 1 | p. 3 | | | | |
| 118810100/0 | 29 | 1 | p. 7 | | | | |
| 118810101/0 | 34 | 1 | p. 3 | | | | |
| 118810101/0 | 34 | 1 | p. 7 | | | | |
| 118810102/0 | 41 | 2 | p. 3 | | | | |
| 118810102/0 | 41 | 2 | p. 7 | | | | |
| 118810103/0 | 36 | 1 | p. 3 | | | | |
| 118810103/0 | 36 | 1 | p. 7 | | | | |
| 118810104/0 | 18 | 1 | p. 3 | | | | |
| 118810104/0 | 18 | 1 | p. 7 | | | | |
| 118810105/0 | 39 | 1 | p. 3 | | | | |
| 118810105/0 | 39 | 1 | p. 7 | | | | |